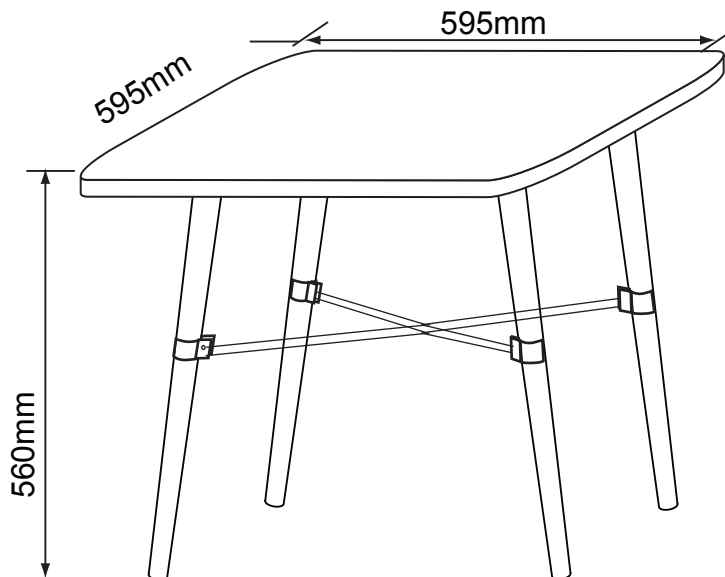




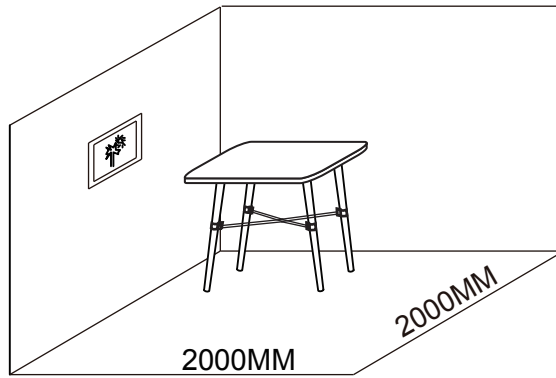
ASSEMBLY INSTRUCTION
KORI LAMP TABLE
ITEM CODE 60251

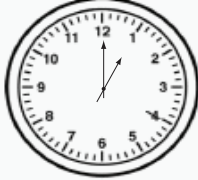

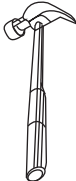


Imported by Amart Furniture Pty Ltd, Qld, Brisbane Australia.
For any assistance with assembly or for missing parts please phone
Amart Furniture, Customer Service Free call 1800 351 084



Imported by Amart Furniture Pty Ltd, Qld, Brisbane Australia.
For any assistance with assembly or for missing parts please phone
Amart Furniture, Customer Service Free call 1800 351 084

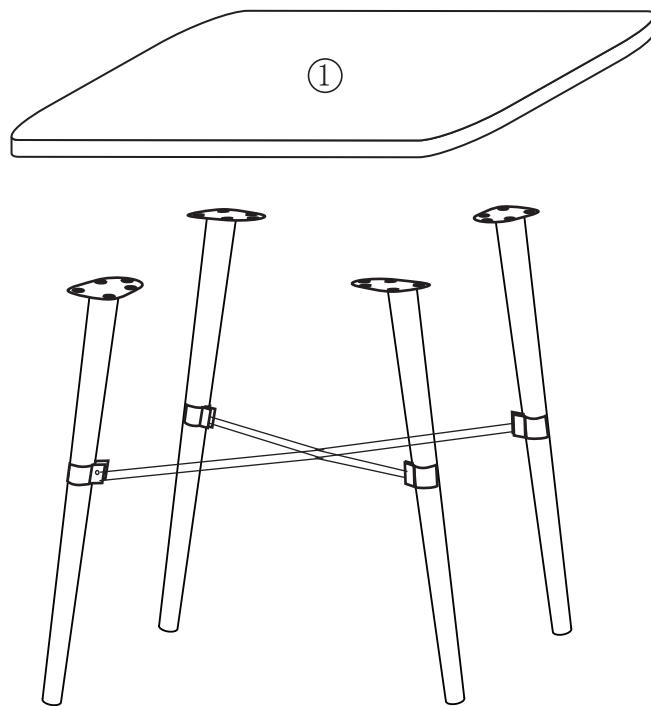




		
ALLOW 30 MINUTES	PEOPLE REQUIRED	
		
ADDITIONAL TOOLS REQUIRED		

Assembly is to be carried out by a competent adult only.
During assembly children should be kept away from the product due to possible risk of injury.
Do not use this item if any components are missing or damaged.
Please keep these instructions for future reference.

EXPLODED EXAMPLE



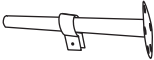





CHECKLIST

Before you start.....

1. Choose a clean, level, spacious assembly area. Avoid hard surfaces that may damage the product.
2. Check and ensure that you have all required contents for complete assembly.
3. Always read the assembly instructions carefully before beginning assembly.
4. The packaging and contents can be a choking hazard. Please keep out of reach of small children at all times.
5. Do not over tighten the bolts as this may damage the thread.

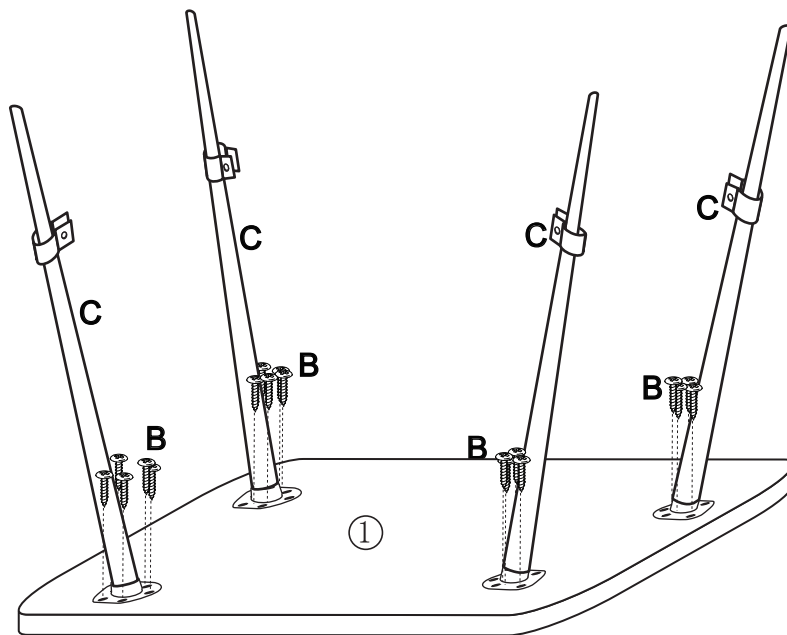


<p>A <input type="checkbox"/></p> <p>allen key</p>  <p>1xA</p>	<p>B <input type="checkbox"/></p> <p>screw</p>  <p>M4x14mm 20xB</p>	<p>C <input type="checkbox"/></p> <p>metal leg</p>  <p>4xC</p>	<p>D <input type="checkbox"/></p> <p>screw</p>  <p>4xD</p>	<p>E <input type="checkbox"/></p> <p>metal tube</p>  <p>1xE</p>
<p>F <input type="checkbox"/></p> <p>SPANNER</p>  <p>1XF</p>				

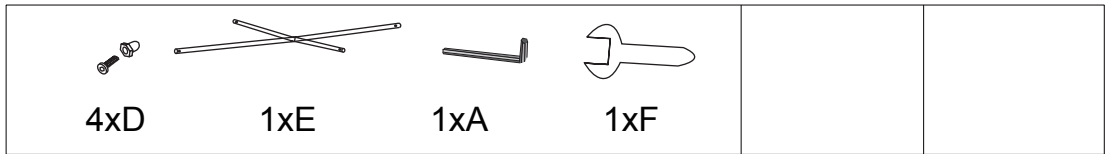
1



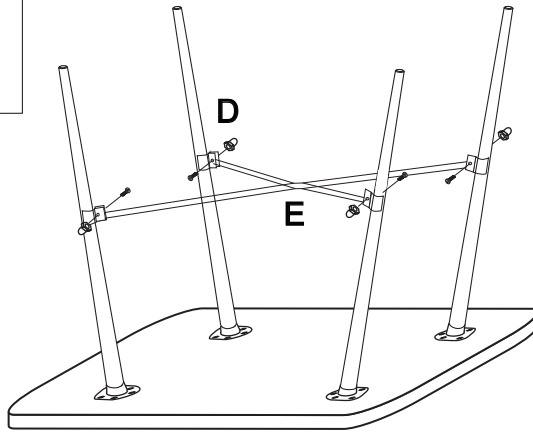
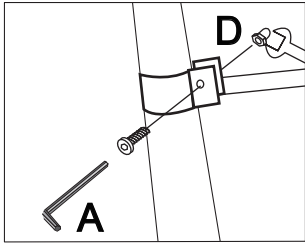
STEP 1: Install metal leg (C) to top panel(1) with screw(B).



2



STEP 2: fix metal tube (E) to metal leg with screw(D) using allen key(A) and spanner(F).

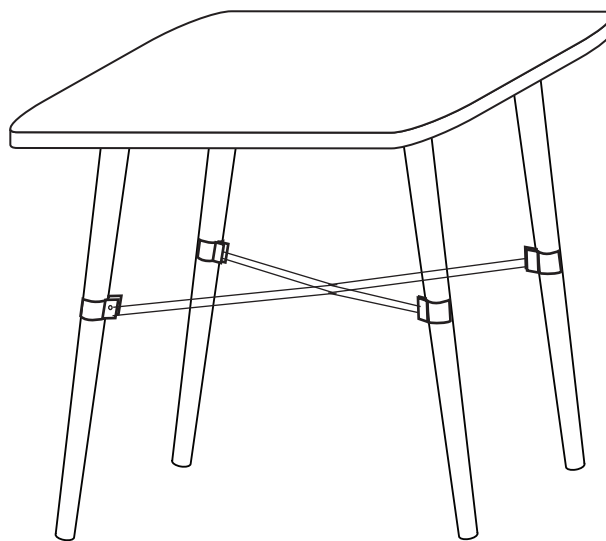


3



ASSEMBLY COMPLETE.

DO NOT PUSH OR DRAG THIS FURNITURE – IT WILL CAUSE DAMAGE TO THE LEGS



PRODUCT CARE:

To protect your furniture, we suggest the following:

*Avoid placing your furniture in direct sunlight.

*Do not place furniture directly under windows.

*Do not place sharp materials(knife, fork, etc) directly onto your furniture as sharp material may scrape and damage the finish.

Do not place material with high temperature directly onto the surface of your furniture.

*Protective padding is strongly recommended when using your furniture .

*Clean up spills quickly. Water left over a prolonged period of time may cause damage. Alcohol, perfume, nail polishes, aftershave and some medication may cause severe finish damage if not cleaned immediately.

*Use a clean, soft, dry, lint free absorbant cloth to clean your furniture. Do not use any detergent as they may contain ingredients that may react and damage the finish.